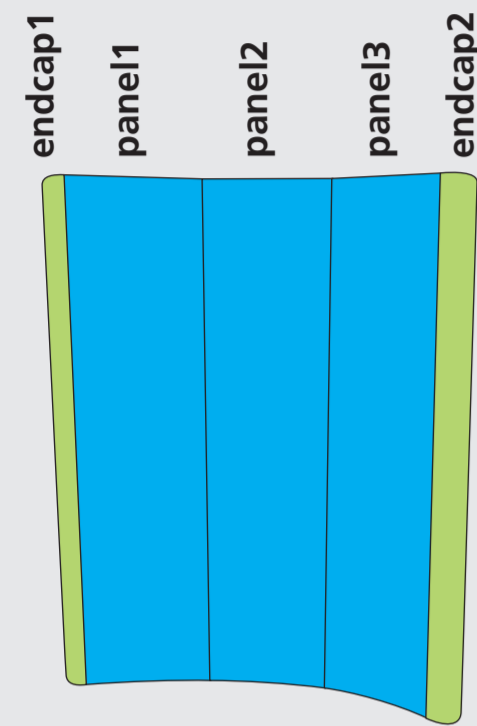
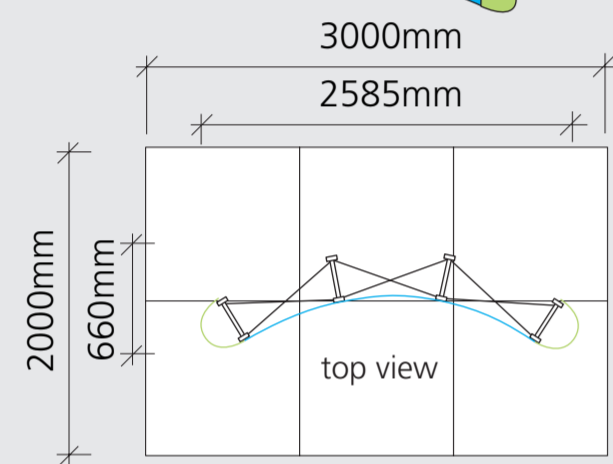


# FLASH

PHOTOBITION



Due to endcaps being curved to the back of the stand, keep endcaps clear of text as it will be obscured when set up.



### 3x3 300 Series Curved

file set up at 25% of final output size.

**Final size:** 3431w x 2350h

endcaps (x2): 625w x 2350h

panels (x3): 727w x 2350h

**Document size:** 857.75 x 587.5

endcaps (x2): 156.25w x 587.5h

panels (x3): 181.75w x 587.5h

Any raster images should be 100dpi at final output size.

example: a background image covering all 3 panels and endcaps would need to be approximately 360MB (RGB).