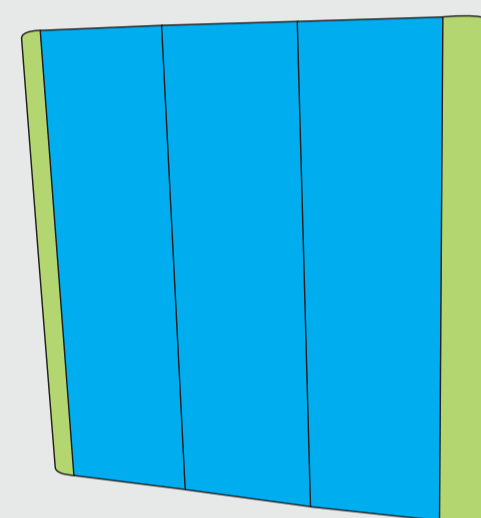


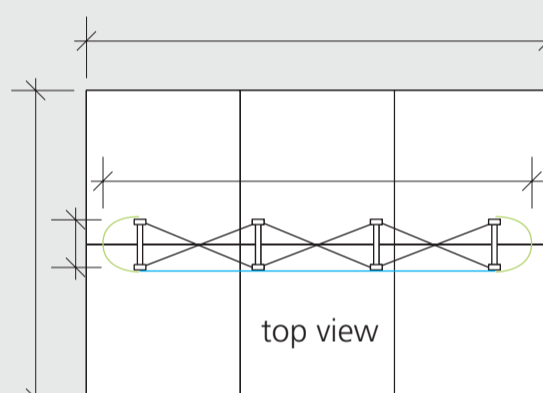
# FLASH

## PHOTOBITION

endcap1  
panel1  
panel2  
panel3  
endcap2



Due to endcaps being curved to the back of the stand, keep endcaps clear of text as it will be obscured when set up.



### 3x3 300 Series

file set up at 25% of final output size.

**Final size: 3596w x 2350h**

endcaps (x2): 625w x 2350h

panels (x3): 782w x 2350h

**Document size: 899x 587.5**

endcaps (x2): 156.25w x 587.5h

panels (x3): 195.5w x 587.5h

Any raster images should be 100dpi at final output size.

example: a background image covering all 3 panels and endcaps would need to be approximately 375MB (RGB).