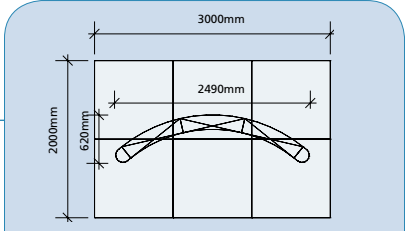
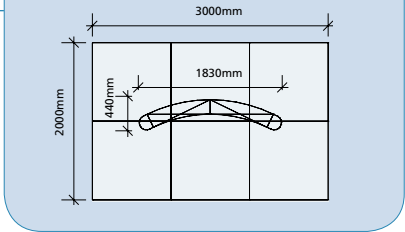
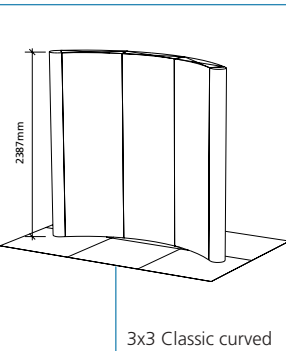
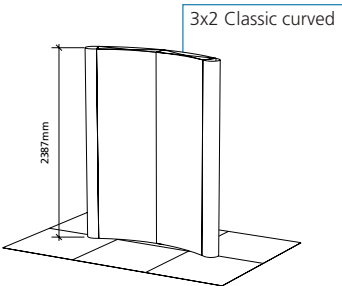


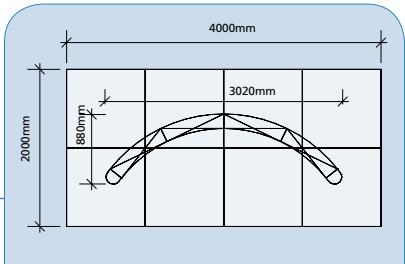
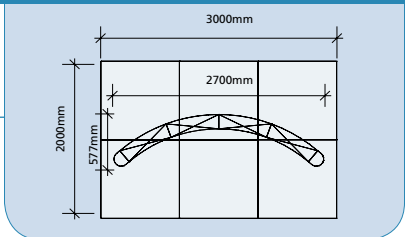
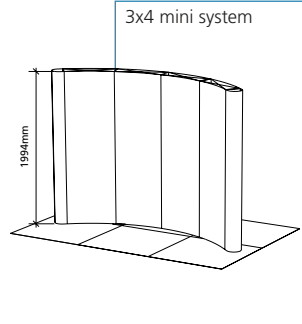
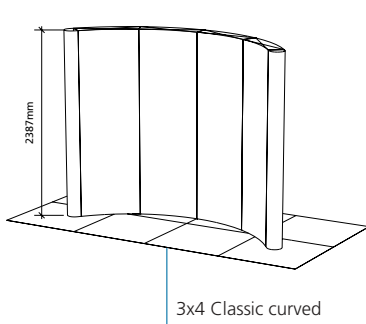


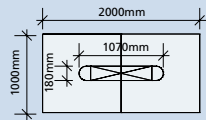
## [Portable Architecture Systems]

Classic Curved  
Classic Straight  
300 Series Curved  
300 Series Straight  
Combinations  
Accessories  
Transportation  
Roll ups & banner stands  
flash displays...

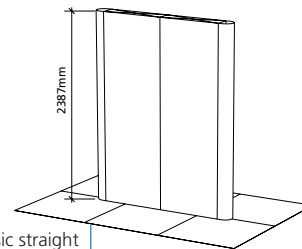
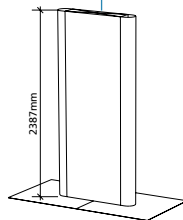


Classic curved

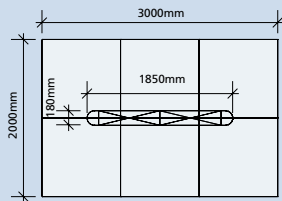




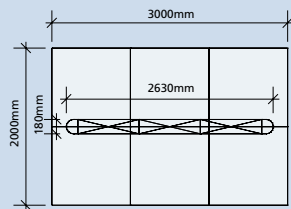
3x1 Classic straight



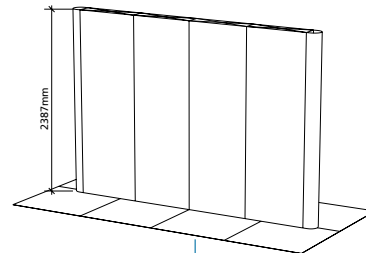
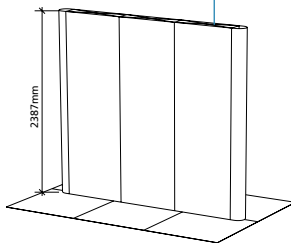
3x2 Classic straight



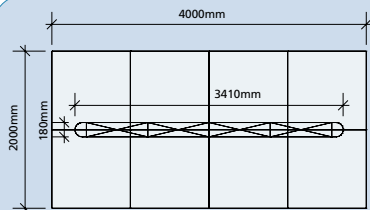
## Classic straight

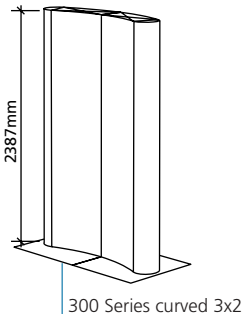
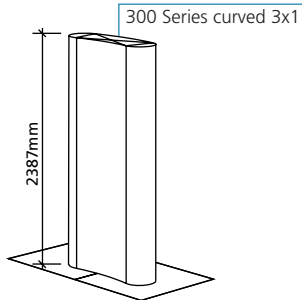


3x3 Classic straight

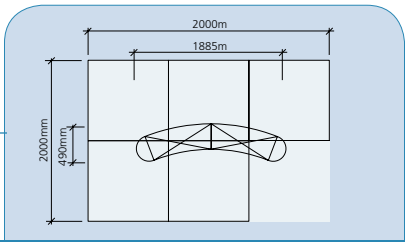
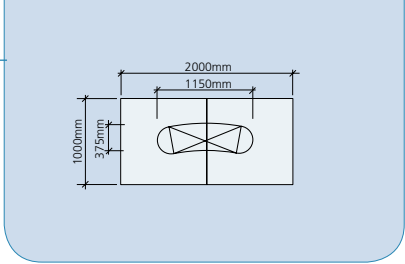


3x4 Classic straight

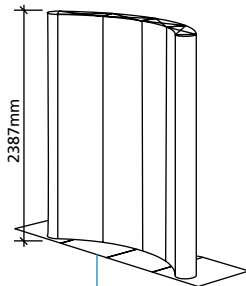
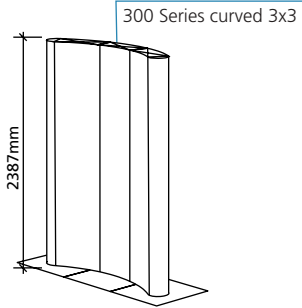




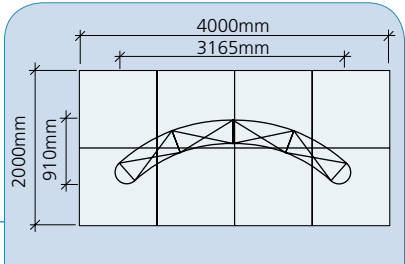
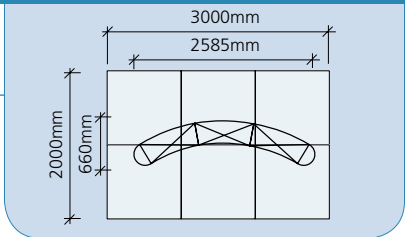
300 Series curved 3x2

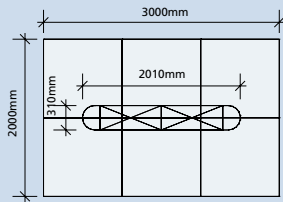


300 Series curved

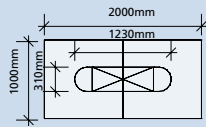
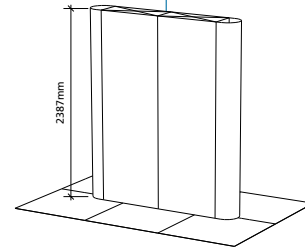
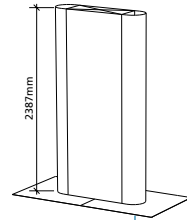


300 Series curved 3x4



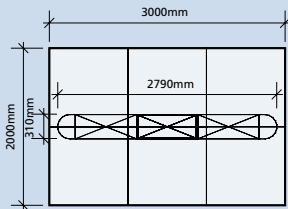


300 Series straight 3x2

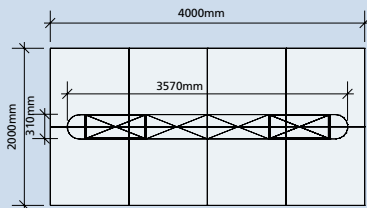
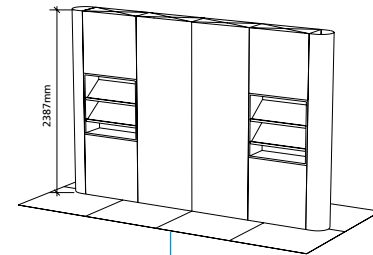
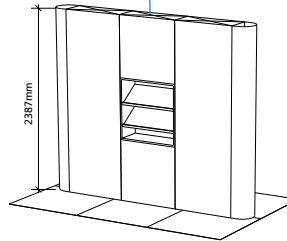


300 Series straight 3x1

## 300 Series straight



300 Series 3x3 with showcase



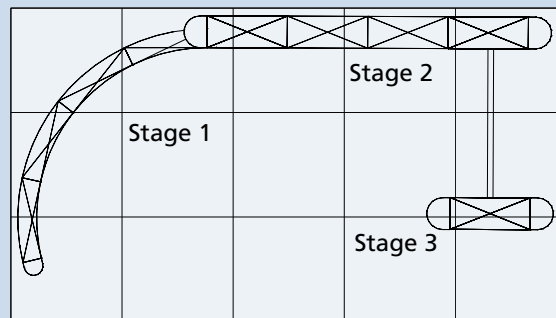
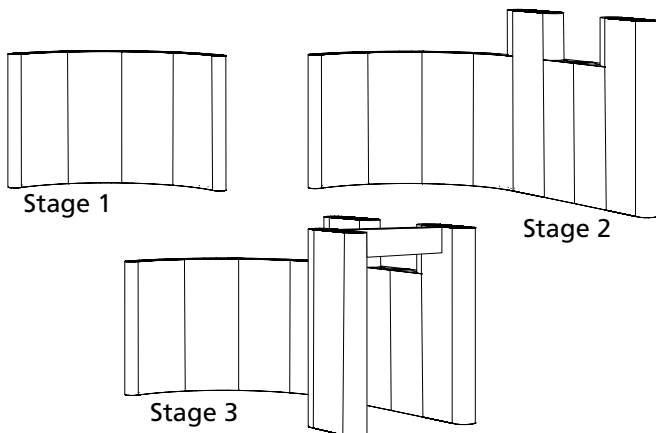
300 Series 3x4 with 2 showcases

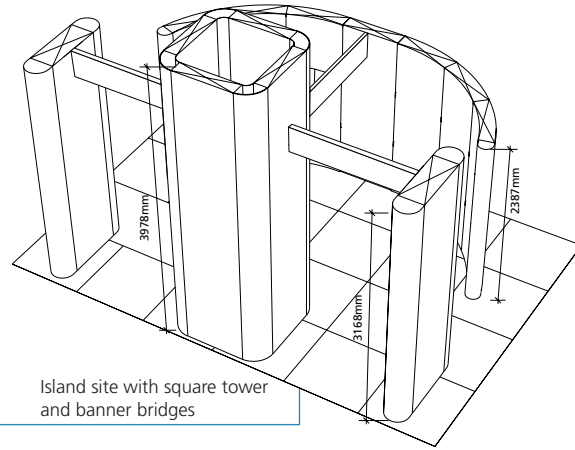
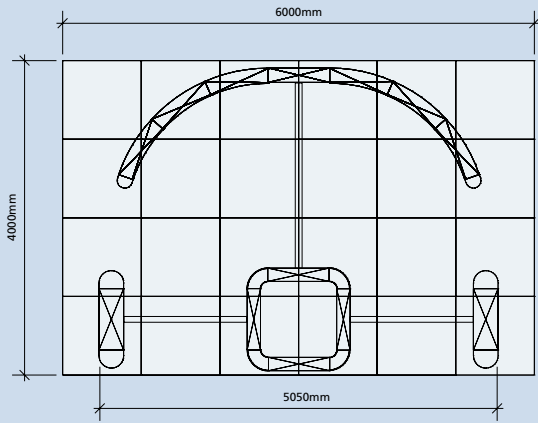
If you have a major events programme, we've made space planning easy. Thanks to our unique 4-way hub each Portable Architecture System 'flat or curved' may be used separately or can be linked together to create a whole variety of shapes and sizes.

Portable Architecture Systems give you the versatility to grow and change with your business. Free of height restrictions the sky is the limit. Using Portable Architecture Systems as a building block you can customise your display and stand head and shoulders above the rest. Where the ceilings are low, lose the height and expand the width. Simplicity is the key.

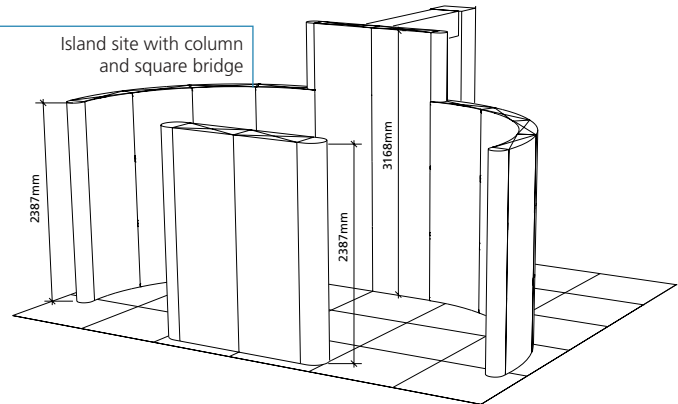
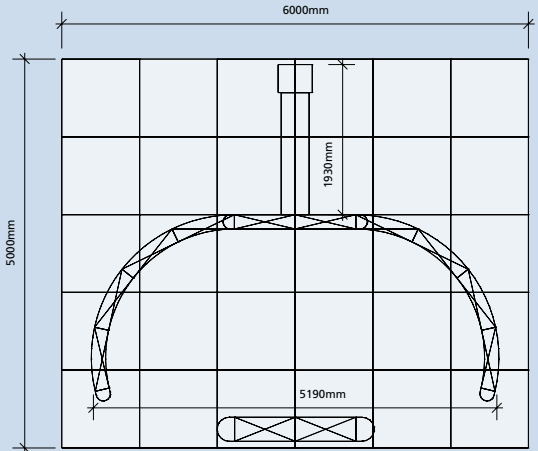


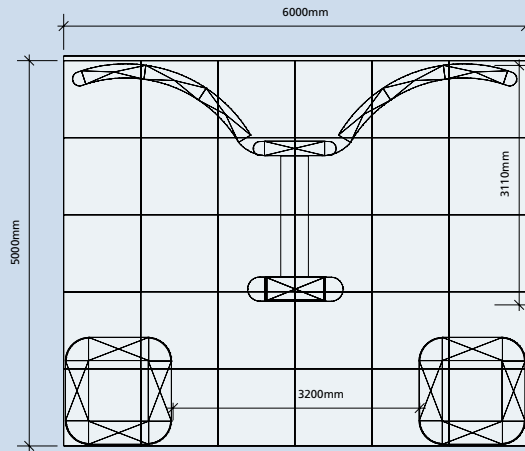
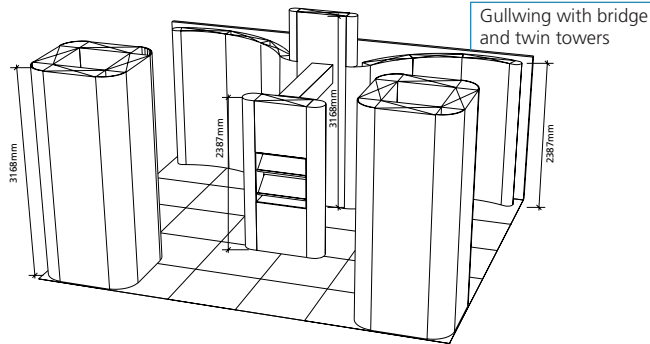
## [Combinations]



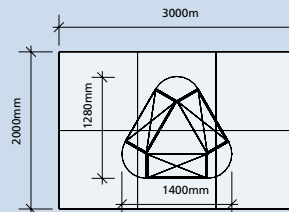
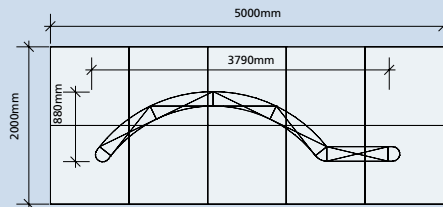
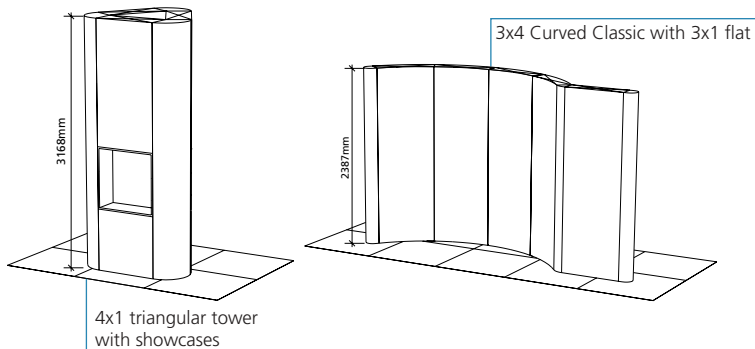


## Combinations





## Combinations



### Spotlights:

- a) Low volt halogen
- b) 200 watt mains volt halogen lamp

### Showcases:

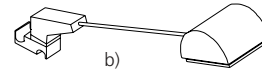
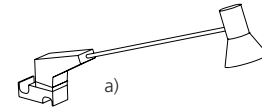
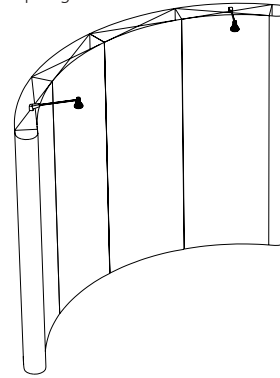
Showcases are available for all types of frames, Curved, Flat, Ultra & Standard

- a) Showcase with two sloping literature shelves
- b) Showcase
- c) Showcase with one flat shelf
- d) Showcase with monitor

### External Shelving:

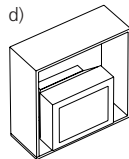
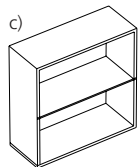
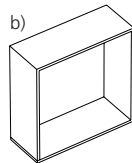
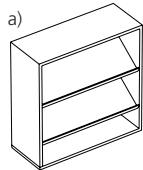
- a) Front shelf double
- b) Literature shelf
- c) Front shelf single

Spotlights

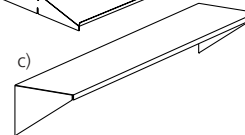
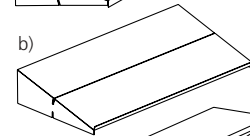
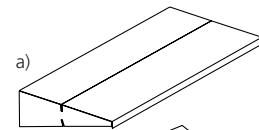
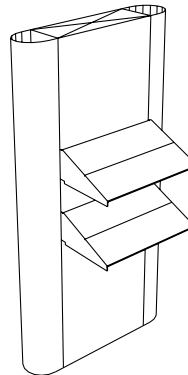


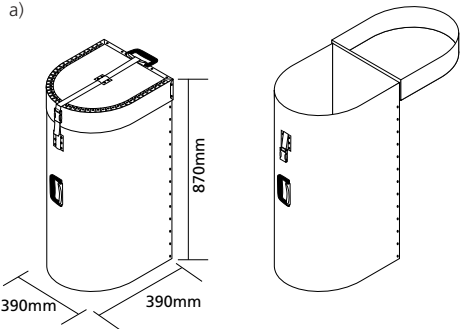
## Accessories

Showcases



External shelving

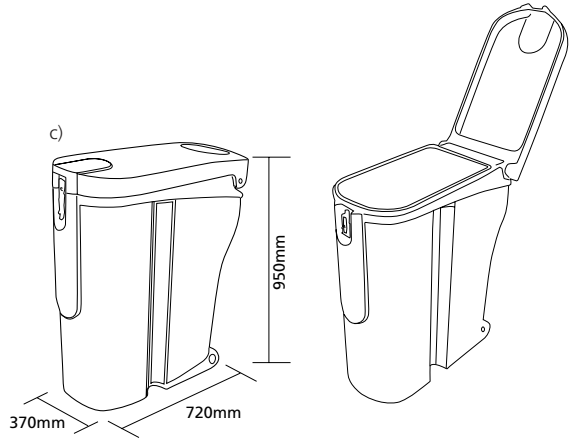
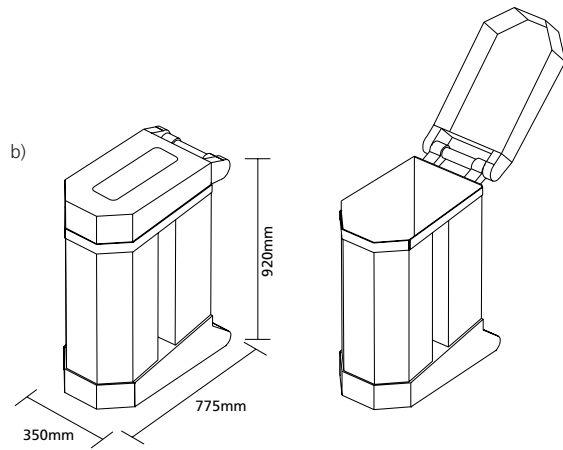




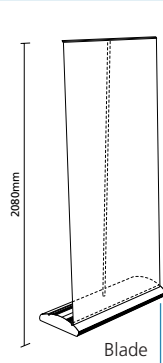
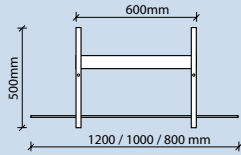
Wheeled cases can hold a 3x4 and a 3x1 frame along with the magnetic bars and spotlights. The graphics are also housed in the case and are separated from the 'hardware'.

- a) D-drum
- b) Tri Fibre case
- c) Eurocase

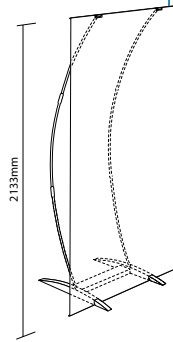
Transportation



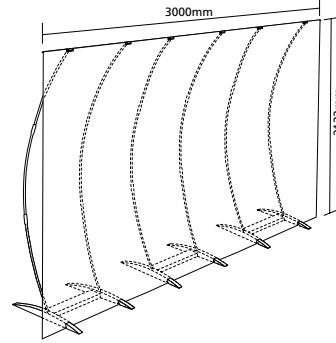
flashstand



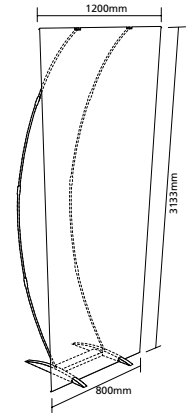
flashstand



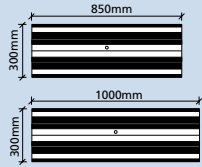
3metre flashstand



Superstand

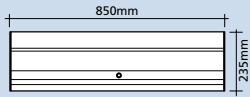


Blade

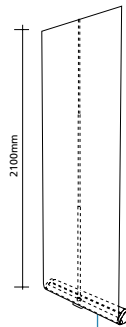
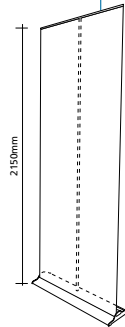


# Roll ups & banner stands

metro

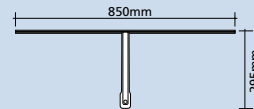


metro

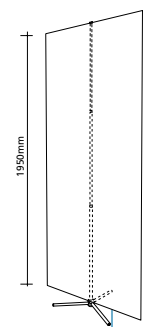
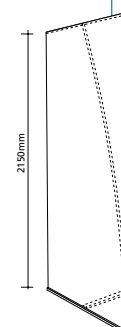


aero

express

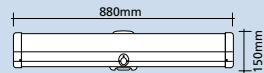


express

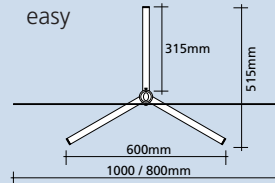


easy

aero



easy



## [flash displays...]

8 Guihen Street, Camperdown  
NSW Australia 2050

**T** +61 2 8594 3555

**F** +61 2 9550 4271

**E** [flash.aus@flash.com.au](mailto:flash.aus@flash.com.au)

**I** [www.flash.com.au](http://www.flash.com.au)

**Offices in**

Melbourne, Brisbane & Canberra

Photobition Australia trading as

Flash Photobition

ABN 71 081 163 251

